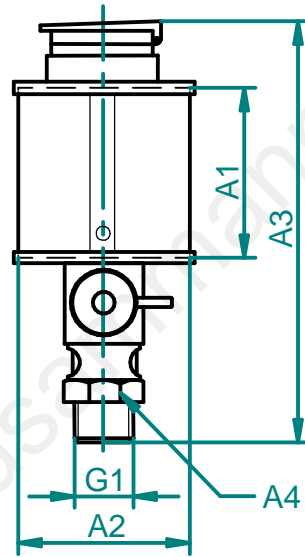



General tolerances ISO 2768-m						Index	Date	Visum	Modification	Index	Date	Visum	Modification
Basic-size	...6	> 6 ...30	> 30 ...120	> 120 ...400	> 400 ...1000								
medium	±0.1	±0.2	±0.3	±0.5	±0.8								



Specifications points D,K,H	
D= doc.points	
K= critical	
H= main	

		Material:			
Accord-draw.no.:	Origin-draw.no.:	Replacement for:	Scale		
			plotted	29.07.11	E.Z
			checked		
 <b>HAUSAMMANN</b> KOMONENTEN PRODUKTION SYSTEME		12.082	<b>Solid Edge</b>	Format <b>A4</b>	Index <b>00</b>
© 2010, Für dieses Dokument behalten wir uns alle Rechte vor.		© 2 010, Nous nous reservons tous les droits sur ce document		© 2 010, We reserve all rights in connection with this document	